

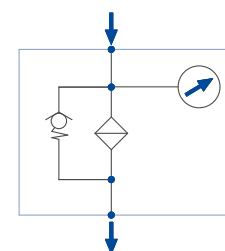
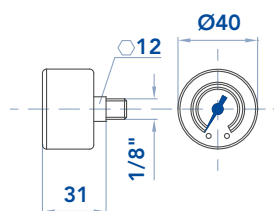
RETURN FILTERS

CLOGGING INDICATORS

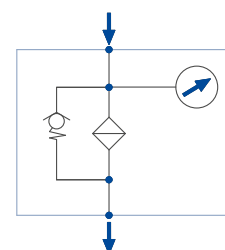
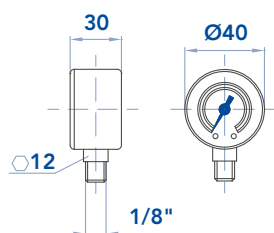


INDICATOR SERIE		DESCRIPTION	FOR RETURN FILTERS SERIES
NPT	BSPT	Pressure gauge	
30	039.0197.1	Scale 0÷6 bar (0÷600 kPa)	FRA - FRB - FRC - FRF - FRH RFM - RFA - MAR - RFC
32	039.0198.1	Scale 0÷6 bar (0÷600 kPa)	FRA - FRB - FRC - FRF - FRH RFM - RFA - MAR - RFC
P1	039.0202.1	Setting 1,5 bar (150 kPa)-SPDT	FRA - FRB - FRC - FRH RFM - RFA - MAR
P2	039.0203.1	Setting 3 bar (300 kPa)-SPDT	FRF (special version, without bypass valve) RFC (special version, without bypass valve)
P4	039.0204.1	Setting 1,3 bar (130 kPa)-SPDT	FRF RFC
P6	039.0205.1	Setting 2 bar (200 kPa)-SPDT	FRB RFA

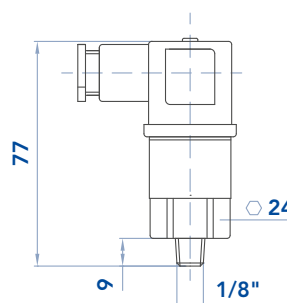
INDICATOR SERIE		DESCRIPTION	FOR RETURN FILTERS SERIES
NPT	BSPT	Pressure gauge	
30	039.0197.1	Scale 0÷6 bar (0÷600 kPa)	FRA - FRB - FRC - FRF - FRH RFM - RFA - MAR - RFC



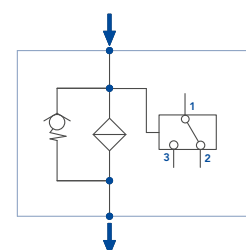
INDICATOR SERIE		DESCRIPTION	FOR RETURN FILTERS SERIES
NPT	BSPT	Pressure gauge	
32	039.0198.1	Scale 0÷6 bar (0÷600 kPa)	FRA - FRB - FRC - FRF - FRH RFM - RFA - MAR - RFC



INDICATOR SERIE		DESCRIPTION	FOR RETURN FILTERS SERIES
NPT	BSPT	Pressure switch	
P1	039.0202.1	Setting 1,5 bar (150 kPa)-SPDT	FRA - FRB - FRC - FRH RFM - RFA - MAR
P2	039.0203.1	Setting 3 bar (300 kPa)-SPDT	FRF (special version, without bypass valve) RFC (special version, without bypass valve)
P4	039.0204.1	Setting 1,3 bar (130 kPa)-SPDT	FRF RFC
P6	039.0205.1	Setting 2 bar (200 kPa)-SPDT	FRB RFA

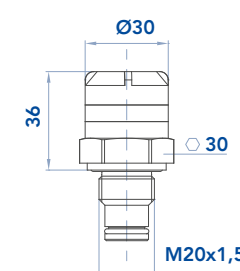
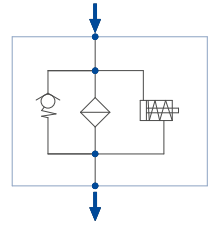


ATEX 3 GD EEx e T6



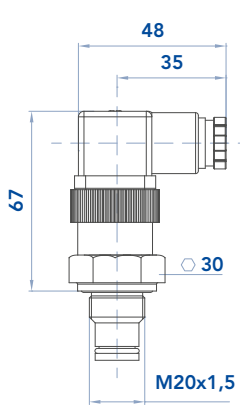
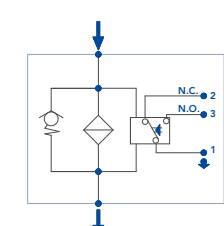
INDICATOR SERIE DESCRIPTION FOR RETURN FILTERS SERIES

NBR	FKM	Differential VISUAL indicators	
5B	AB	Setting 1,3 bar (130 kPa)	FRF RFC
5C	AC	Setting 2 bar (200 kPa)	FRD MRH

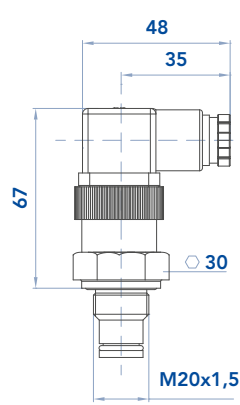
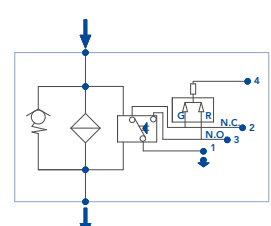
SPDT differential switch. C.C. 14 - 30 V: > max resistive or inductive load 4 - 3 A respectively
C.A. 125-250 V: > max resistive or inductive load 1 A - Protection IP65 - Connector DIN 43650

NBR	FKM	Differential ELECTRICAL indicators	
6B	CB	Setting 1,3 bar (130 kPa)	FRF RFC
6C	CC	Setting 2 bar (200 kPa)	FRD MRH

SPDT differential switch. C.C. 14 - 30 V: > max resistive or inductive load 4 - 3 A respectively
C.A. 125-250 V: > max resistive or inductive load 1 A - Protection IP65 - Connector DIN 43650

NBR	FKM	Differential ELECTRICAL indicators with LED (24 v) for visual indication	
7B	EB	Setting 1,3 bar (130 kPa)	FRF RFC
7C	EC	Setting 2 bar (200 kPa)	FRD MRH

SPDT differential switch. C.C. 14 - 30 V: > max resistive or inductive load 4 - 3 A respectively
C.A. 125-250 V: > max resistive or inductive load 1 A - Protection IP65 - Connector DIN 43650

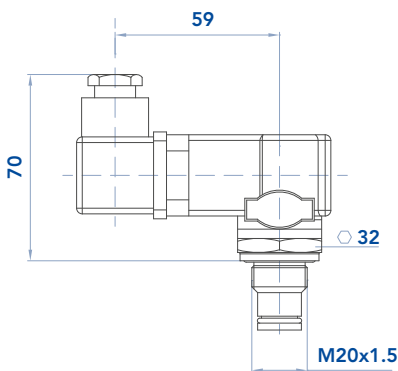
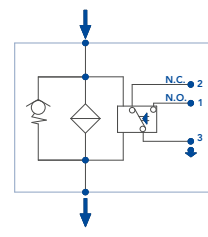
RETURN FILTERS

CLOGGING INDICATORS



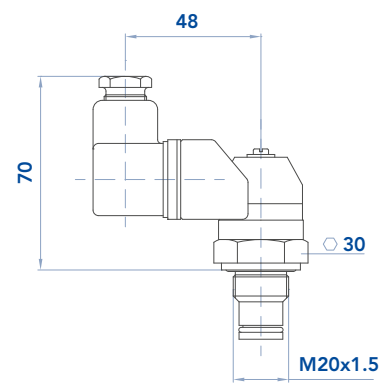
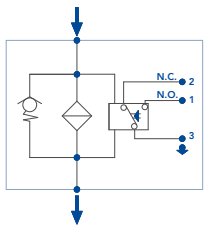
INDICATOR SERIE DESCRIPTION FOR RETURN FILTERS SERIES

NBR	FKM	Differential ELECTRICAL indicators with THERMOSTAT 30° C	
T0	DB	Setting 1,3 bar (130 kPa)	FRF RFC
T1	DC	Setting 2 bar (200 kPa)	FRD MRH

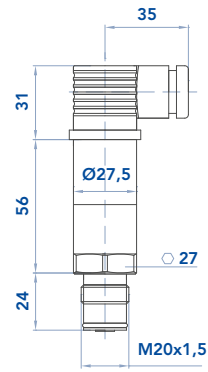
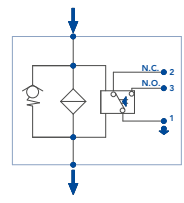
SPDT differential switch. C.C. 14 - 30 V: > max resistive or inductive load 4 - 3 A respectively
C.A. 125-250 V: > max resistive or inductive load 1 A - Protection IP65 - Connector DIN 43650

NBR	FKM	Differential VISUAL ELECTRICAL indicators	
70	E0	Setting 1,3 bar (130 kPa)	FRF RFC
71	E1	Setting 2 bar (200 kPa)	FRD MRH

SPDT differential switch. C.C. 14 - 30 V: > max resistive or inductive load 4 - 3 A respectively
C.A. 125-250 V: > max resistive or inductive load 1 A - Protection IP65 - Connector DIN 43650

NBR	FKM	Differential ELECTRICAL indicators ATEX	
008.0239.2	-	Setting 1,3 bar (130 kPa)	FRF RFC
008.0234.2	-	Setting 2 bar (200 kPa)	FRD MRH

ATEX 3 GD EEx e T6

SPDT differential switch. C.C. 14 - 30 V: > max resistive or inductive load 4 - 3 A respectively
C.A. 125-250 V: > max resistive or inductive load 1 A - Protection IP65 - Connector DIN 43650

INDICATOR SERIE **DESCRIPTION** **FOR RETURN FILTERS SERIES**

NBR **FKM** **ELECTRONICAL Differential RETURN CLOGGING INDICATOR**

008.0266.2	N/A	Setting 5 bar (100%) PNP-NO	FRD	
<p>PIN1:24V +/-10% - PIN2: Analogue output 4-20mA - For input < 25%FS analogue signal output is constant at 4mA - Accuracy at 25°C, for input >25%FS =+/-5%FS max; - PIN3: Digital output 1 calibrated at 1,5bar – PNP – Max Load 0,2A – NO - PIN4: Digital output 2 calibrated at 2,0bar – PNP – Max Load 0,2A – NO - PIN5: 0V – GND Protection IP67 - Connector: M12x5PIN</p>				