

CBS-SAB

AIR FILTERS



DESCRIPTION

Tank connectors for air breathers with spin-on cartridge

MATERIALS

Connector: Steel (zinc plated for the flanged version)

Cartridge can: Steel

FILTER MEDIA

CC = Impregnated Cellulose

FD = fibreglass

Filtration degree (in air): 3µm

COMPATIBLY (ISO 2943)

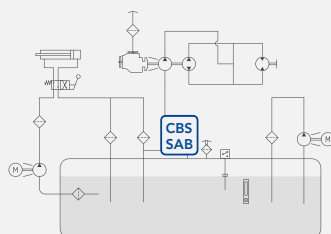
Full with fluids HH - HL - HM - HR - HV - HG (according to ISO 6743/4). For fluids different than the above mentioned, please contact our Customer Service.

WORKING TEMPERATURE

From -25°C to +110°C



HYDRAULIC DIAGRAM



Is this datasheet the latest release? Please check on our website.

CBS-SAB

AIR FILTERS



ORDERING AND OPTION CHART

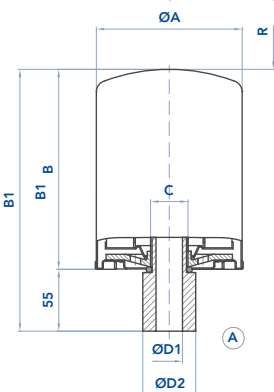
C	B	S	COMPLETE FILTER FAMILY					FILTER ELEMENT FAMILY			A	S	E
			SIZE & LENGHT	11	12	21	22	SIZE & LENGHT					
			CONNECTION TYPE										
			S = standard flange	S	S	S	S						
			W = welding connector	W	W	W	W						
		W	PRESSURIZATION VALVE										
			W = without	W	W	W	W						
			SEALS					SEALS					
			X = no seals (welding type)	X	X	X	X						
			C = sugheroil (flange type)	C	C	C	C						
			FILTER MEDIA					FILTER MEDIA					
			FD = fibreglass	FD	FD	FD	FD						
			CC = impregnated cellulose	CC	CC	CC	CC						

ORDERING AND OPTION CHART

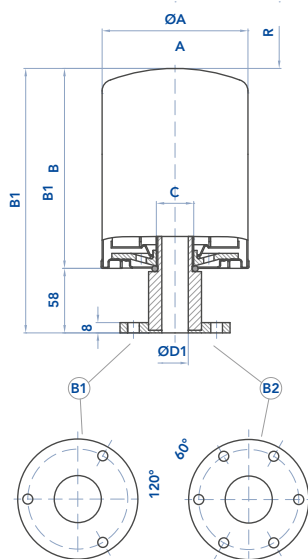
S	A	B	COMPLETE FILTER FAMILY					FILTER ELEMENT FAMILY			C	C	A
			SIZE & LENGHT	151	152	301	302	SIZE & LENGHT					
			CONNECTION TYPE										
			S = flange	S	S	S	S						
			F = welding connector	F	F	F	F						
			FILTER MEDIA					FILTER MEDIA					
			CD = impregnated cellulose	CD	CD	CD	CD						
			FV = fibreglass	FV	FV	FV	FV						
				1	1	1	1	SEALS			1		

INSTALLATION DRAWING

WELDING CONNECTOR
DWG. A



FLANGED CONNECTOR
DWG. B



DIMENSIONS

	Dwg	flow rate (l/min)	A	B	B1	C	D1	D2	R
CBS11WWX SAB151S	A	1.800	96	146	201	3/4" BSP	18	32	40
CBS12WWX SAB152S	A	1.800	96	191	246	3/4" BSP	18	32	40
CBS21WWX SAB301S	A	2.800	129	181	236	1 1/4" BSP	32	48	40
CBS22WWX SAB302S	A	2.800	129	226	281	1 1/4" BSP	32	48	40
CBS11SWC SAB151F	B1	1.800	96	146	204	3/4" BSP	18	-	40
CBS12SWC SAB152F	B1	1.800	96	191	249	3/4" BSP	18	-	40
CBS21SWC SAB301F	B2	2.800	129	181	239	1 1/4" BSP	32	-	40
CBS22SWC SAB302F	B2	2.800	129	226	284	1 1/4" BSP	32	-	40