

# CBA-TM

## AIR FILTERS



### DESCRIPTION

Air breather, hand mounting

### MATERIALS

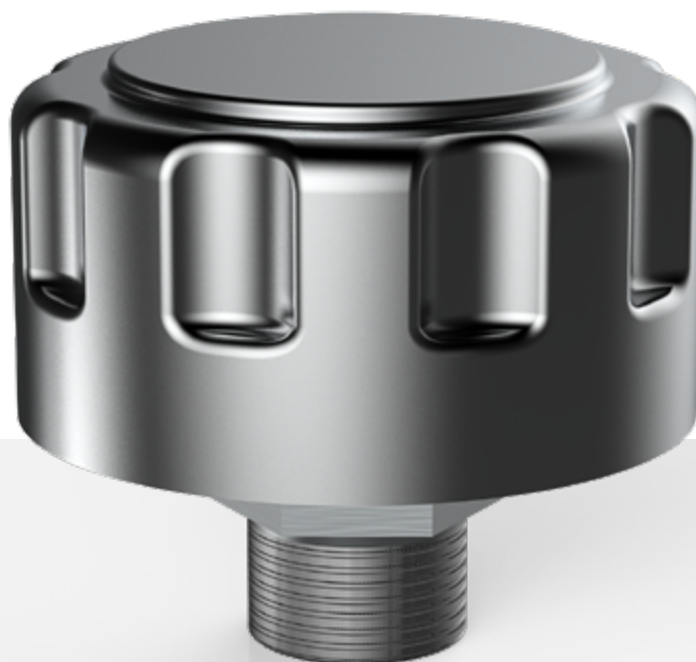
Housing, flange and basket: zinc plated steel  
Cap: chrome plated  
Filter element ((not replaceable):  
Impregnated cellulose 3µm (Filtration degree in air)  
Polyurathan foam 10µm (Filtration degree in air)

### COMPATIBILY (ISO 2943)

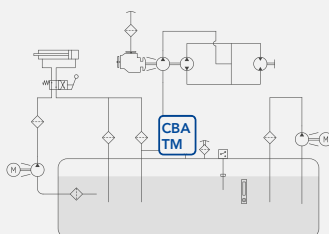
Full with fluids HH-HL-HM-HV-HTG (according to ISO 6743/4).  
For fluids different than the above mentioned, please contact  
our Customer Service.

### WORKING TEMPERATURE:

From -25°C to +110°C



### HYDRAULIC DIAGRAM



Is this datasheet the latest release? Please check on our website.

# CBA-TM

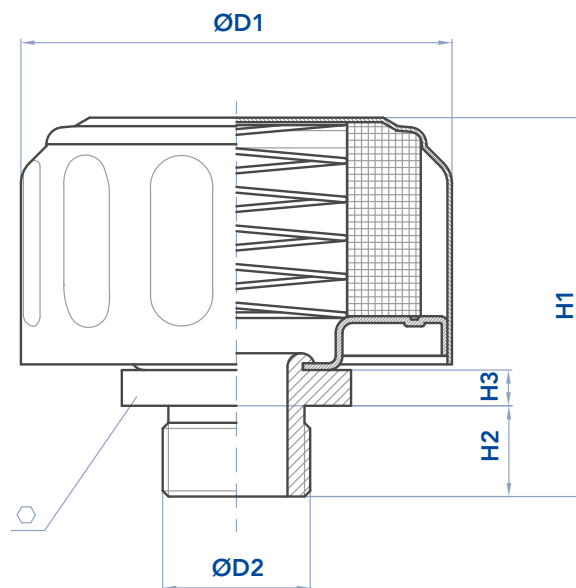
## AIR FILTERS



### ORDERING AND OPTION CHART

C	B	A	COMPLETE FILTER FAMILY	
			SIZE & LENGHT	11 21
			B PORT TYPE	
			B = BSP thread	B B
			PORT SIZE	
			02 = 1/4"	02 -
			06 = 3/4"	- 06
			FILTER MEDIA	
			CC = impregnated cellulose	CC CC
			PE = polyurathan foam	PE PE

### INSTALLATION DRAWING



### DIMENSIONS

	filtr. $\mu\text{m}$	flow rate (l/min)	D1	D2		H1	H2	H3
CBA11B02CC TM150B1	3	150	47	1/4" BPS	19	45	12	7
CBA11B02PE TM450B1	10	300	47	1/4" BPS	19	45	12	7
CBA21B06CC TM178B4	3	450	76	3/4" BSP	35	66	16	7
CBA21B06PE TM478B4	10	750	76	3/4" BSP	35	66	16	7