



CBB

AIR FILTERS



DESCRIPTION

Air breather with threaded connection

MATERIALS

Housing and threaded connection: Zinc plated steel
Spare filter element: Impregnated cellulose 10 μm
(filtration degree in air)

FLOW RATE

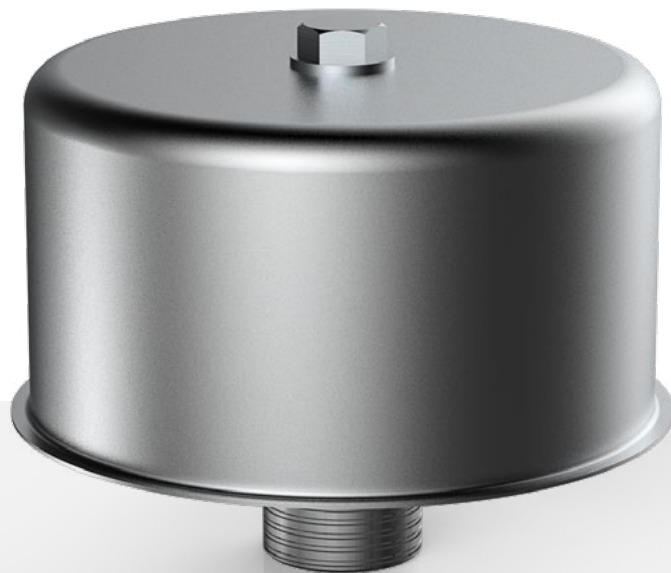
Qmax 500 l/min

COMPATIBLY

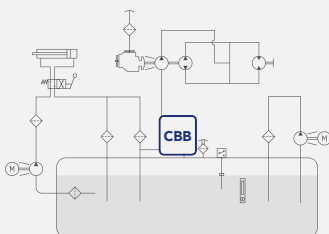
Full with fluids HH-HL-HM-HV-HTG (according to ISO 6743/4).
For fluids different than the above mentioned, please contact
our Customer Service.

WORKING TEMPERATURE

From -25°C to 110°C



HYDRAULIC DIAGRAM

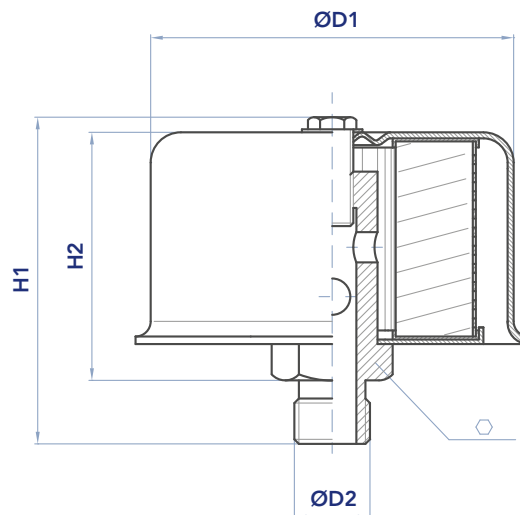


Is this datasheet the latest release? Please check on our website

ORDERING AND OPTION CHART

C	B	B	COMPLETE FILTER FAMILY				FILTER ELEMENT FAMILY	E	B	B
			SIZE & LENGHT	11	21	31	SIZE & LENGTH			
			PORT TYPE							
			B = BSP thread	B	B	B				
			M = metric thread	M	M	M				
			PORT SIZE							
			02 = 1/4"	02	-	-				
			03 = 3/8"	03	-	-				
			04 = 1/2"	-	04	-				
			06 = 3/4"	-	06	-				
			08 = 1"	-	-	08				
			12 = M 12x1,5 (metric only)	12	-	-				
			16 = M 16x1,5 (metric only)	-	16	-				
			FILTER MEDIA				FILTER MEDIA			
			CD = impregnated cellulose 10µm	CD	CD	CD				

INSTALLATION DRAWING



DIMENSIONS

	filtr. µm	flow rate (l/min)	D1	D2	⬡	H1	H2	KG
CBB11B02CD	10	200	60	1/4" BSP	22	56	43	0,16
CBB11B03CD	10	200	60	3/8" BSP	22	56	43	0,16
CBB11M12CD	10	200	60	M12 X 1,5	17	56	43	0,16
CBB21B04CD	10	500	82	1/2" BSP	24	71	53	0,30
CBB21B06CD	10	500	82	3/4" BSP	32	71	53	0,30
CBB21M16CD	10	500	82	M16 X 1,5	22	71	53	0,30
CBB31B08CD	10	850	115	1" BSP	40	100	76	0,50