

CSE-SBB

AIR FILTERS



DESCRIPTION

Air breathers with spin-on cartridge

MATERIALS

Connector: zinc plated steel

Basket: zinc plated steel

Cartridge can: steel

FILTER MEDIA

CC = Impregnated Cellulose

FD = fibreglass

Filtration degree (in air): 3µm

COMPATIBLY (ISO 2943)

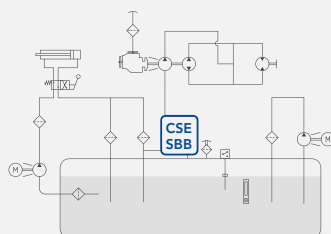
Full with fluids HH - HL - HM - HR - HV - HG (according to ISO 6743/4). For fluids different than the above mentioned, please contact our Customer Service.

WORKING TEMPERATURE

From -25°C to +110°C



HYDRAULIC DIAGRAM



Is this datasheet the latest release? Please check on our website.

CSE-SBB

AIR FILTERS



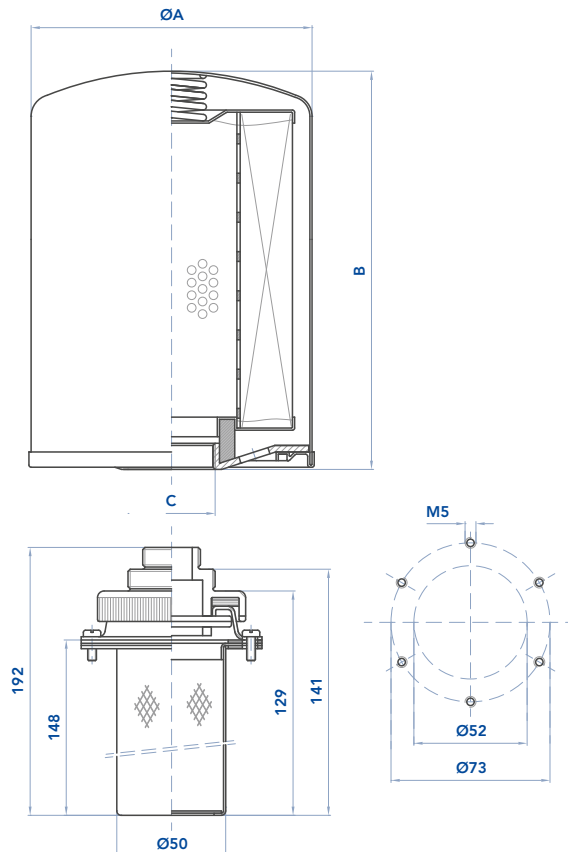
ORDERING AND OPTION CHART

C	S	E	COMPLETE FILTER FAMILY					FILTER ELEMENT FAMILY	A	S	E
			SIZE & LENGHT	11	12	21	22	SIZE & LENGHT			
			CONNECTION TYPE								
			S = standard flange	S	S	S	S				
		W	PRESSURIZATION VALVE								
			W = without	W	W	W	W				
		C	SEALS					SEALS	C		
			C = sugheroil (flange type)	C	C	C	C				
			FILTER MEDIA					FILTER MEDIA			
			FD = fibreglass	FD	FD	FD	FD				
			CC = impregnated cellulose	CC	CC	CC	CC				

ORDERING AND OPTION CHART

S	B	B	COMPLETE FILTER FAMILY					FILTER ELEMENT FAMILY	C	C	A
			SIZE & LENGHT	151	152	301	302	SIZE & LENGHT			
			FILTER MEDIA					FILTER MEDIA			
			CD = impregnated cellulose	CD	CD	CD	CD				
			FV = fibreglass	FV	FV	FV	FV				
				1	1	1	1	SEALS	1		

INSTALLATION DRAWING



DIMENSIONS

	flow rate (l/min)	A	B	C
CSE11SWC SBB151	1.800	96	146	3/4" BSP
CSE12SWC SBB152	1.800	96	191	3/4" BSP
CSE21SWC SBB301	2.800	129	181	1 1/4" BSP
CSE22SWC SBB302	2.800	129	226	1 1/4" BSP