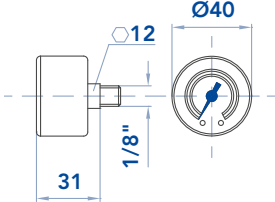
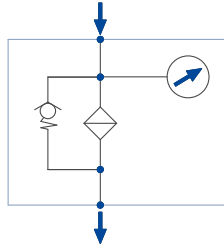
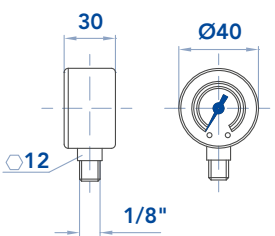
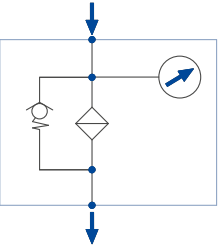
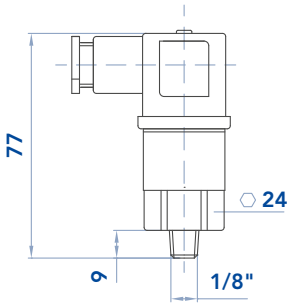
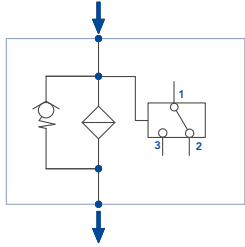


RETURN FILTERS

CLOGGING INDICATORS



INDICATOR SERIE		DESCRIPTION	FOR RETURN FILTERS SERIES
NBR	FKM	Pressure gauge	
30	-	Scale 0÷6 bar (0÷600 kPa)	<p>FRA - FRB - FRC - FRF - FRH</p> <p>RFM - RFA - MAR - RFC</p>  
NBR	FKM	Pressure gauge	
32	-	Scale 0÷6 bar (0÷600 kPa)	<p>FRA - FRB - FRC - FRF - FRH</p> <p>RFM - RFA - MAR - RFC</p>  
NBR	FKM	Pressure switch	
P1	-	Setting 1,5 bar (150 kPa)-SPDT	<p>FRA - FRB - FRC - FRH</p> <p>RFM - RFA - MAR</p>
P2	-	Setting 3 bar (300 kPa)-SPDT	<p>FRF (special version, without bypass valve)</p> <p>RFC (special version, without bypass valve)</p>
P4	-	Setting 1,3 bar (130 kPa)-SPDT	<p>FRF</p> <p>RFC</p>
P6	-	Setting 2 bar (200 kPa)-SPDT	<p>FRB</p> <p>RFA</p>
			 <p>ATEX 3 GD EEx e T6</p> 

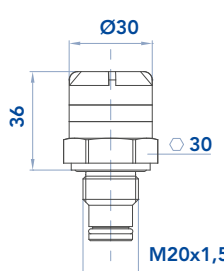
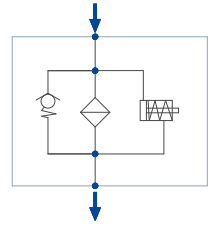
RETURN FILTERS

CLOGGING INDICATORS



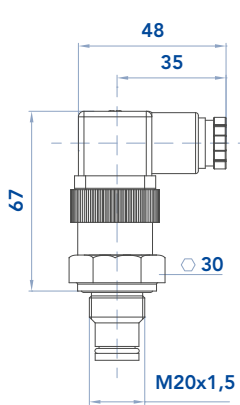
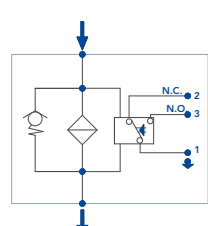
INDICATOR SERIE DESCRIPTION FOR RETURN FILTERS SERIES

NBR	FKM	Differential VISUAL indicators	
5B	AB	Setting 1,3 bar (130 kPa)	FRF RFC
5C	AC	Setting 2 bar (200 kPa)	FRD MRH

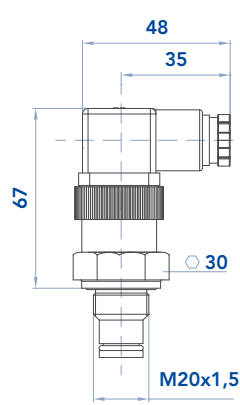
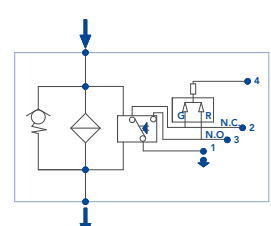
SPDT differential switch. C.C. 14 - 30 V: > max resistive or inductive load 4 - 3 A respectively
C.A. 125-250 V: > max resistive or inductive load 1 A - Protection IP65 - Connector DIN 43650

NBR	FKM	Differential ELECTRICAL indicators	
6B	CB	Setting 1,3 bar (130 kPa)	FRF RFC
6C	CC	Setting 2 bar (200 kPa)	FRD MRH

SPDT differential switch. C.C. 14 - 30 V: > max resistive or inductive load 4 - 3 A respectively
C.A. 125-250 V: > max resistive or inductive load 1 A - Protection IP65 - Connector DIN 43650

NBR	FKM	Differential ELECTRICAL indicators with LED (24 v) for visual indication	
7B	EB	Setting 1,3 bar (130 kPa)	FRF RFC
7C	EC	Setting 2 bar (200 kPa)	FRD MRH

SPDT differential switch. C.C. 14 - 30 V: > max resistive or inductive load 4 - 3 A respectively
C.A. 125-250 V: > max resistive or inductive load 1 A - Protection IP65 - Connector DIN 43650

RETURN FILTERS

CLOGGING INDICATORS



INDICATOR SERIE DESCRIPTION FOR RETURN FILTERS SERIES

NBR	FKM	Differential ELECTRICAL indicators with THERMOSTAT 30° C	
T0	DB	Setting 1,3 bar (130 kPa)	FRF RFC
T1	DC	Setting 2 bar (200 kPa)	FRD MRH

SPDT differential switch. C.C. 14 - 30 V: > max resistive or inductive load 4 - 3 A respectively
C.A. 125-250 V: > max resistive or inductive load 1 A - Protection IP65 - Connector DIN 43650

NBR	FKM	Differential VISUAL ELECTRICAL indicators	
70	E0	Setting 1,3 bar (130 kPa)	FRF RFC
71	E1	Setting 2 bar (200 kPa)	FRD MRH

SPDT differential switch. C.C. 14 - 30 V: > max resistive or inductive load 4 - 3 A respectively
C.A. 125-250 V: > max resistive or inductive load 1 A - Protection IP65 - Connector DIN 43650

NBR	FKM	Differential ELECTRICAL indicators ATEX	
008.0239.2	-	Setting 1,3 bar (130 kPa)	FRF RFC
008.0234.2	-	Setting 2 bar (200 kPa)	FRD MRH

SPDT differential switch. C.C. 14 - 30 V: > max resistive or inductive load 4 - 3 A respectively
C.A. 125-250 V: > max resistive or inductive load 1 A - Protection IP65 - Connector DIN 43650