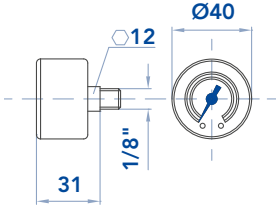
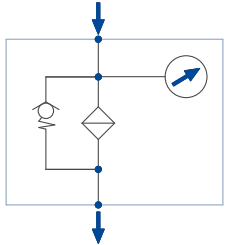
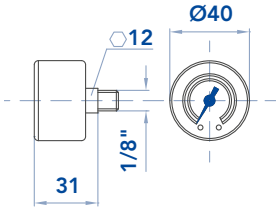
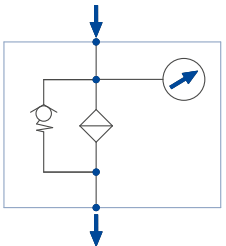
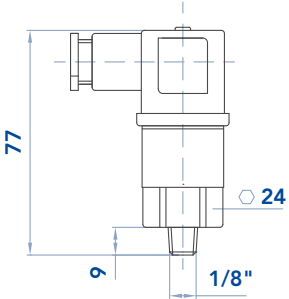
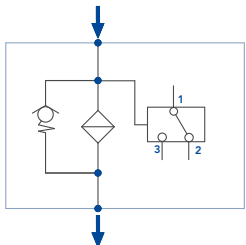


PRESSURE FILTERS

CLOGGING INDICATORS



INDICATOR SERIE		DESCRIPTION	FOR PRESSURE FILTERS SERIES
NBR	FKM	Pressure gauge	
31	-	Scale 0÷12 bar (0÷1,2 MPa)	FPE - FPH AMF - TLM  
NBR	FKM	Pressure gauge stainless steel, glycerine filled	
36	-	Scale 0÷12 bar (0÷1,2 MPa)	FPE - FPH AMF - TLM  
NBR	FKM	Pressure switch	
P1	-	Setting 1,5 bar (150 kPa)	FPE - FPH AMF - TLM  ATEX 3 GD EEx e T6 
		SPDT, Max voltage 250V - 50 Hz - Max current 6 A resistive, 1 A inductive - Protection IP65 connector DIN 43650	

PRESSURE FILTERS

CLOGGING INDICATORS



INDICATOR SERIE DESCRIPTION FOR PRESSURE FILTERS SERIES

NBR	FKM	Differential VISUAL ELECTRICAL indicator	
N0	S0	Setting 1,3 bar (130 kPa)	for FPE A+, B+ for AMD 15+, 30+
		SPDT differential switch. C.C. 14 - 30 V: > max resistive or inductive load 4 - 3 A respectively C.A. 125-250 V: > max resistive or inductive load 1 A - Protection IP65 - Connector DIN 43650	

NBR	FKM	Differential VISUAL indicator	
U0	W0	Setting 1,3 bar (130 kPa)	for FPE A+, B+ for AMD 15+, 30+

NBR	FKM	Differential VISUAL indicators	
5B	AB	Setting 1,3 bar (130 kPa)	FPH TLM
5D	AD	Setting 2,5 bar (250 kPa)	FPA - FPB - FPD - FPL - FPM MDM - MHT - MDF - SPP - SPM
5E	AE	Setting 5 bar (500 kPa)	FPA - FPB - FPC - FPD - FPL - FPM MDM - MHT - MGT - MDF - SPP - SPM
5F	AF	Setting 8 bar (800 kPa)	FPA - FPB - FPC - FPD - FPL - FPM MDM - MHT - MGT - MDF - SPP - SPM

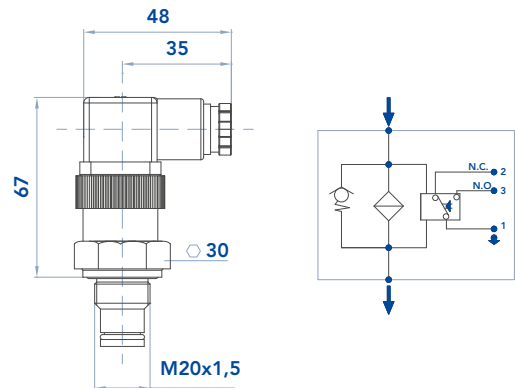
PRESSURE FILTERS

CLOGGING INDICATORS

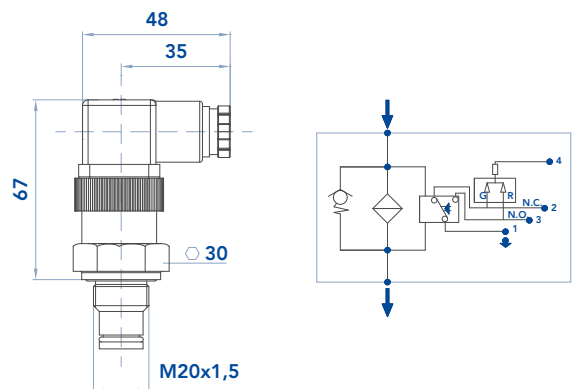


INDICATOR SERIE DESCRIPTION FOR PRESSURE FILTERS SERIES

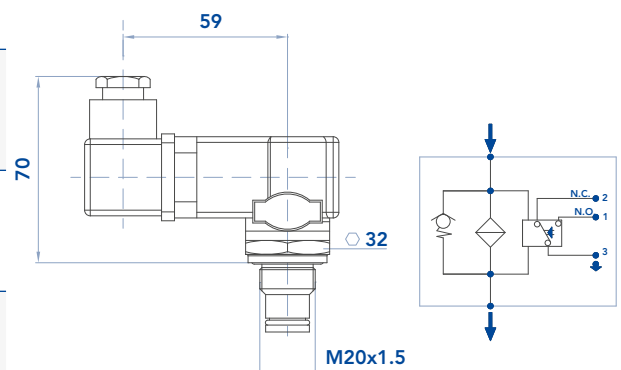
NBR	FKM	Differential ELECTRICAL indicators	
6B	CB	Setting 1,3 bar (130 kPa)	FPH TLM
6D	CD	Setting 2,5 bar (250 kPa)	FPA - FPB - FPD - FPL - FPM MDM - MHT - MDF - SPP - SPM
6E	CE	Setting 5 bar (500 kPa)	FPA - FPB - FPC - FPD - FPL - FPM MDM - MHT - MGT - MDF - SPP - SPM
6F	CF	Setting 8 bar (800 kPa)	FPA - FPB - FPC - FPD - FPL - FPM MDM - MHT - MGT - MDF - SPP - SPM
SPDT differential switch. C.C. 14 - 30 V: > max resistive or inductive load 4 - 3 A respectively C.A. 125-250 V: > max resistive or inductive load 1 A - Protection IP65 - Connector DIN 43650			



NBR	FKM	Differential ELECTRICAL indicators with LED (24 v) for visual indication	
7B	EB	Setting 1,3 bar (130 kPa)	FPH TLM
7D	ED	Setting 2,5 bar (250 kPa)	FPA - FPB - FPD - FPL - FPM MDM - MHT - MDF - SPP - SPM
7E	EE	Setting 5 bar (500 kPa)	FPA - FPB - FPC - FPD - FPL - FPM MDM - MHT - MGT - MDF - SPP - SPM
7F	EF	Setting 8 bar (800 kPa)	FPA - FPB - FPC - FPD - FPL - FPM MDM - MHT - MGT - MDF - SPP - SPM
SPDT differential switch. C.C. 14 - 30 V: > max resistive or inductive load 4 - 3 A respectively C.A. 125-250 V: > max resistive or inductive load 1 A - Protection IP65 - Connector DIN 43650			



NBR	FKM	Differential ELECTRICAL indicators with THERMOSTAT 30° C	
T0	DB	Setting 1,3 bar (130 kPa)	FPH TLM
T2	DE	Setting 5 bar (500kPa)	FPA - FPB - FPC - FPD - FPL - FPM MDM - MHT - MDF - SPP - SPM
T3	DF	Setting 8 bar (800 kPa)	FPA - FPB - FPC - FPD - FPL - FPM MDM - MHT - MGT - MDF - SPP - SPM
T6	DD	Setting 2,5 bar (250 kPa)	FPA - FPB - FPD - FPL - FPM MDM - MHT - MDF - SPP - SPM
SPDT differential switch. C.C. 14 - 30 V: > max resistive or inductive load 4 - 3 A respectively C.A. 125-250 V: > max resistive or inductive load 1 A - Protection IP65 - Connector DIN 43650			



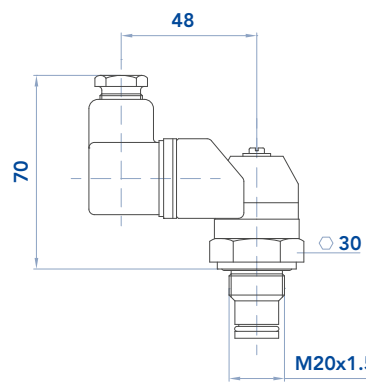
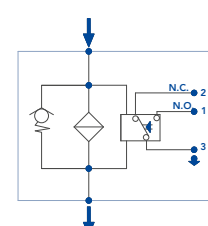
PRESSURE FILTERS

CLOGGING INDICATORS



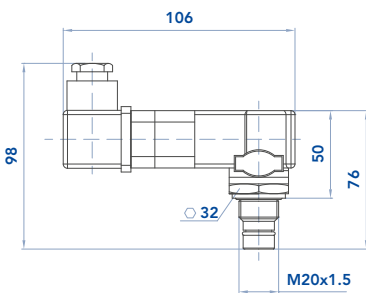
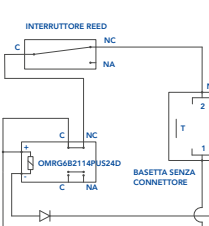
INDICATOR SERIE DESCRIPTION FOR PRESSURE FILTERS SERIES

NBR	FKM	Differential VISUAL ELECTRICAL indicators	
70	E0	Setting 1,3 bar (130 kPa)	FPH TLM
76	E6	Setting 2,5 bar (250kPa)	FPA - FPB - FPD - FPL - FPM MDM - MHT - MDF - SPP - SPM
72	E2	Setting 5 bar (500 kPa)	FPA - FPB - FPC - FPD - FPL - FPM MDM - MHT - MGT - MDF - SPP - SPM
73	E3	Setting 8 bar (800 kPa)	FPA - FPB - FPC - FPD - FPL - FPM MDM - MHT - MGT - MDF - SPP - SPM

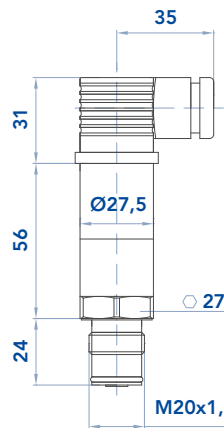
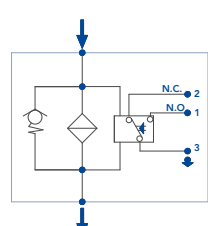
SPDT differential switch. C.C. 14 - 30 V: > max resistive or inductive load 4 - 3 A respectively
C.A. 125-250 V: > max resistive or inductive load 1 A - Protection IP65 - Connector DIN 43650

NBR	FKM	Differential ELECTRICAL indicators VANDAL PROOF	
M2	-	Setting 5 bar (500 kPa)	FPA - FPB - FPC - FPD - FPL - FPM MDM - MHT - MGT - MDF - SPP - SPM
M3	-	Setting 8 bar (800kPa)	FPA - FPB - FPC - FPD - FPL - FPM MDM - MHT - MGT - MDF - SPP - SPM
M6	-	Setting 2,5 bar (250 kPa)	FPA - FPB - FPD - FPL - FPM MDM - MHT - MDF - SPP - SPM

SPDT differential switch. C.C. 14 - 30 V: > max resistive or inductive load 4 - 3 A respectively
C.A. 125-250 V: > max resistive or inductive load 1 A - Protection IP65 - Connector DIN 43650

NBR	FKM	Differential ELECTRICAL indicators ATEX	
008.0239.2	-	Setting 1,3 bar (130 kPa)	FPA - FPB - FPD - FPL - FPM MDM - MHT - MDF - SPP - SPM
008.0240.2	-	Setting 2,5 bar (250kPa)	FPA - FPB - FPD - FPL - FPM MDM - MHT - MDF - SPP - SPM
008.0235.2	-	Setting 5 bar (500 kPa)	FPA - FPB - FPC - FPD - FPL - FPM MDM - MHT - MGT - MDF - SPP - SPM
008.0212.2	-	Setting 8 bar (800 kPa)	FPA - FPB - FPC - FPD - FPL - FPM MDM - MHT - MGT - MDF - SPP - SPM

SPDT differential switch. C.C. 14 - 30 V: > max resistive or inductive load 4 - 3 A respectively
C.A. 125-250 V: > max resistive or inductive load 1 A - Protection IP65 - Connector DIN 43650