

CFA-TM

ACCESSORIES



DESCRIPTION

Filling breathers

FILLING BREATHERS

Filling plugs with inbuilt air breather; flanged tank connection with standard dimensions; protection basket against ingestion of coarse parts (removable for CFA23); zinc plated steel body and chrome plated steel cap; seals by cork (NBR - Nitrile for pressurized version only).

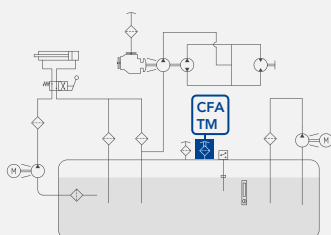
FILTER ELEMENT

Filter element (not replaceable):
Impregnated cellulose 3µm (filtration degree in air)
Polyurathan foam 10µm (filtration degree in air)

For sizes CFA21 & CFA22 only the plug has a safety chain.



HYDRAULIC DIAGRAM



Is this datasheet the latest release? Please check on our website.

ORDERING AND OPTION CHART

C	F	A	COMPLETE FILTER FAMILY				
			SIZE & LENGHT	11	21	22	23
		S	MOUNTING PATTERN				
			S = DIN 24557/2 flange	S	S	S	S
			PRESSURIZATION VALVE				
			W = without	W	W	W	W
			A = 0,35 bar	-	A	A	-
			SEALS				
			C = sugheroil	C	C	C	C
			N = NBR Nitrile (with A option only)	-	N	N	-
			FILTER MEDIA				
			CC = impregnated cellulose	CC	CC	CC	CC
			PE = polyurathan foam	PE	PE	PE	PE
		P	ACCESSORIES				
			P = padlock holder	-	P	P	-

DIMENSIONS

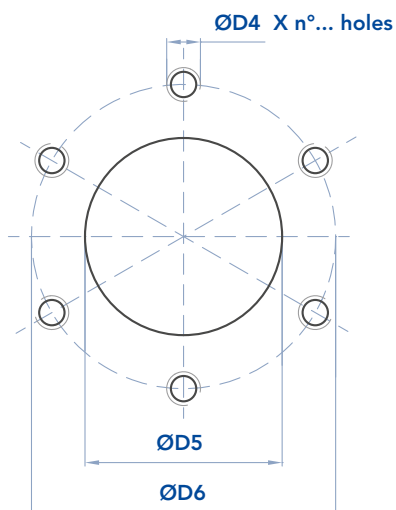
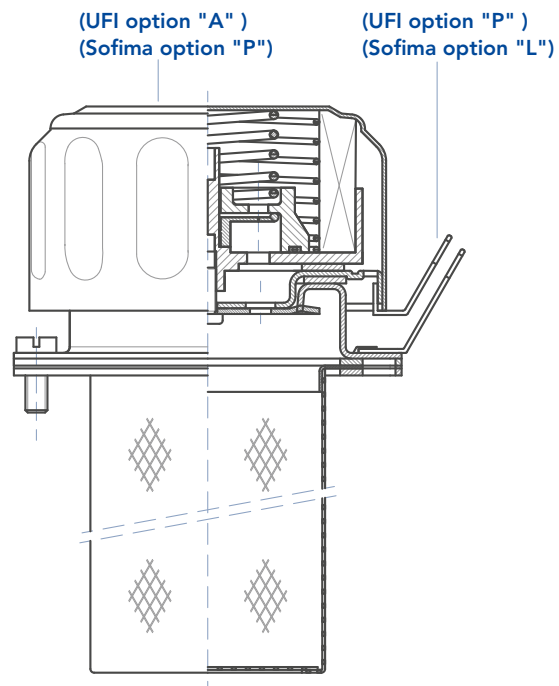
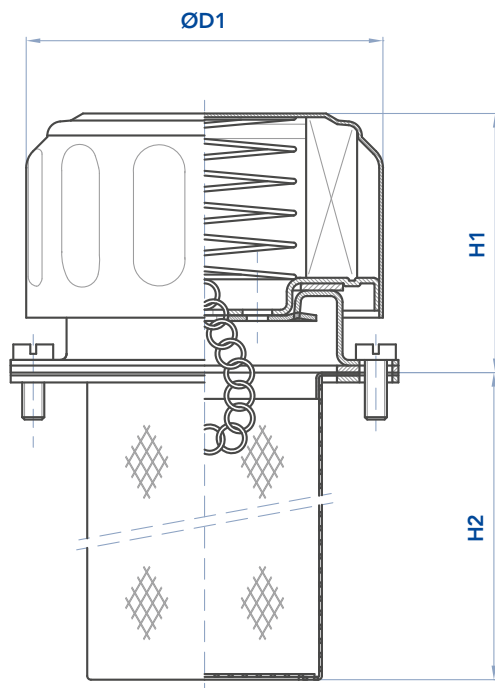
	filtr. µm	flow rate (l/min)	D1	D2	D3	D4	Holes n°	D5	D6	H1	H2
CFA11SWCCC TM150G65	3	150	47	29	52	M5	3	31	41	48	64
CFA11SWCPE TM450G65	10	300	47	29	52	M5	3	31	41	48	64
CFA21SWCCC TM178G78	3	450	80	50	83	M5	6	52	73	57	78
CFA21SWCPE TM478G78	10	750	80	50	83	M5	6	52	73	57	78
CFA22SWCCC TM178G150	3	450	80	50	83	M5	6	52	73	57	148
CFA22SWCPE TM478G150	10	750	80	50	83	M5	6	52	73	57	148
CFA23SWCCC TM178G100	3	450	80	40	83	M5	6	42	73	57	100
CFA23SWCPE TM478G100	10	750	80	40	83	M5	6	42	73	57	100

CFA-TM

ACCESSORIES



INSTALLATION DRAWING



Tank connection:
DIN 24557/2