

# CBB-FA

## AIR FILTERS



### DESCRIPTION

Air breather, replaceable element

### MATERIALS

Housing: zinc plated steel

### REPLACEABLE ELEMENT

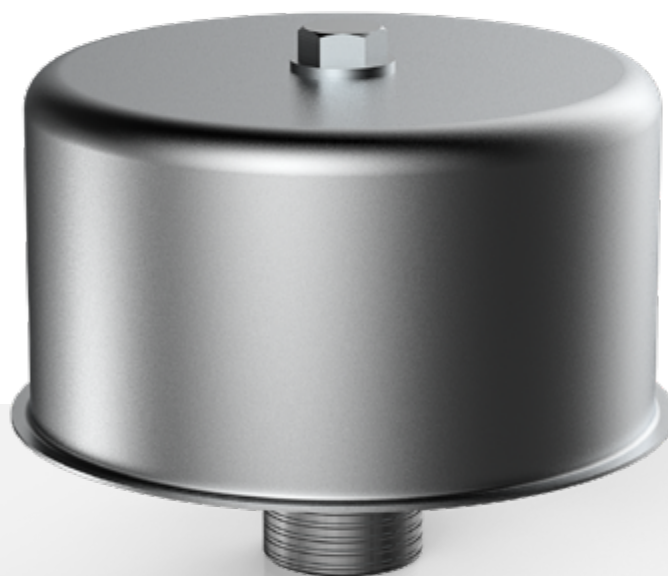
Air breathers with threaded connection by zinc plated steel.  
Replaceable filter element, by impregnated cellulose 10µm.  
(Filtration degree in air)

### COMPATIBILY (ISO 2943)

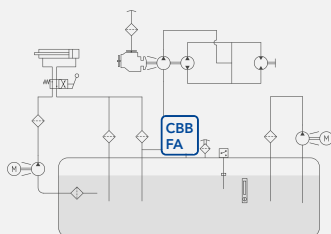
Full with fluids HH-HL-HM-HV-HTG (according to ISO 6743/4).  
For fluids different than the above mentioned, please contact  
our Customer Service.

### WORKING TEMPERATURE

From -25°C to +110°C



### HYDRAULIC DIAGRAM



Is this datasheet the latest release? Please check on our website.

# CBB-FA

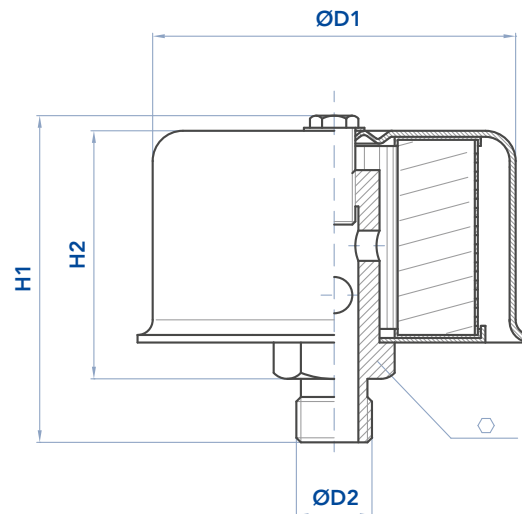
## AIR FILTERS



### ORDERING AND OPTION CHART

C	B	B	COMPLETE FILTER FAMILY				FILTER ELEMENT FAMILY	E	B	B
			SIZE & LENGHT	11	21	31	SIZE & LENGHT			
			PORT TYPE							
			B = BSP thread	B	B	B				
			M = metric thread	M	M	M				
			PORT SIZE							
			02 = 1/4"	02	-	-				
			03 = 3/8"	03	-	-				
			04 = 1/2"	-	04	-				
			06 = 3/4"	-	06	-				
			08 = 1"	-	-	08				
			12 = M 12x1,5 (metric only)	12	-	-				
			16 = M 16x1,5 (metric only)	-	16	-				
C	D		FILTER MEDIA				FILTER MEDIA	C	D	
			CD = impregnated cellulose	CD	CD	CD				

### INSTALLATION DRAWING



### DIMENSIONS

	filtr. $\mu\text{m}$	flow rate (l/min)	D1	D2		H1	H2	KG
CBB11M12CD FA 4733.1	10	200	60	M12 X 1,5	17	56	43	0,16
CBB11B03CD FA 4733.1A	10	200	60	3/8" BSP	22	56	43	0,16
CBB11B02CD FA 4733.3	10	200	60	1/4" BSP	22	56	43	0,16
CBB21M16CD FA 4733.2	10	500	82	M16 X 1,5	22	71	53	0,30
CBB21B04CD FA 4733.4	10	500	82	1/2" BSP	24	71	53	0,30
CBB21B06CD FA 4733.4A	10	500	82	3/4" BSP	32	71	53	0,30
CBB31B08CD FA 4733.5	10	500	115	1" BSP	40	100	76	0,30